

# Data sheet A 15 SM



## PRODUCT SPECIFICATION

SK H2O protec construction waterstop A 15 SM is a standard inflammable sealing profile made of thermoplastic polymer, PVC-P "reinforced spring steel", that is used to seal construction joints in in-situ concretes.

## Characteristics / Advantages

- high tensile strength
- steady and adherent
- no concrete upturn respectively no change of reinforcement necessary
- resistant to all natural media acting aggressively to concrete (if applicable)
- resistant to a wide range of chemical substances (tests required for each additional specific situation)
- non-ageing
- supply of systems for easy handling on site
- weldable by using butt or overlap joints on site

## Application

- Joint sealing in in-situ concrete with high water penetration for sealing of buildings against pressing and non-pressing water and against soil water.

### Typical structures

- Commercial buildings, cellars, underground car parks

# Data sheet A 15 SM



## **Standards / Directives**

- DIN 18197
- DIN 18541 part 2
- WU-Directives DAfStb
- Welding instructions

## **Test certificate / Approvals**

- latest manufacturer's test certificate
- certificate of conformity - DIN 18541
- external monitoring by MPA NRW
- internal monitoring

## **PRODUCT DATA**

### **Material**

- PVC-P (Polyvinyl chloride with plasticizer / P: plasticized)

### **Colour**

- black

### **Packaging**

- supplied as standard rolls (25 m), pre-cuts and systems

# Data sheet A 15 SM



---

## MECHANICAL PROPERTIES according to DIN 18541, part 2

---

<b>Shore A hardness</b>	$67 \pm 5$
-------------------------	------------

---

<b>Tensile strength</b>	$\geq 9$ MPa
-------------------------	--------------

---

<b>Elongation at break</b>	$\geq 230$ %
----------------------------	--------------

---

<b>Tear propagation resistance</b>	$\geq 20$ kN/m
------------------------------------	----------------

---

<b>Low temperature performance</b>	Elongation at break at $-20^{\circ}\text{C} \geq 120\%$
------------------------------------	---------------------------------------------------------

---

<b>Performance of the weld at shear test short-term joining factor <math>f_z</math></b>	break outside of weld $\geq 0,6$
---------------------------------------------------------------------------------------------	----------------------------------

---

<b>Fire behaviour</b>	Class B2
-----------------------	----------

---

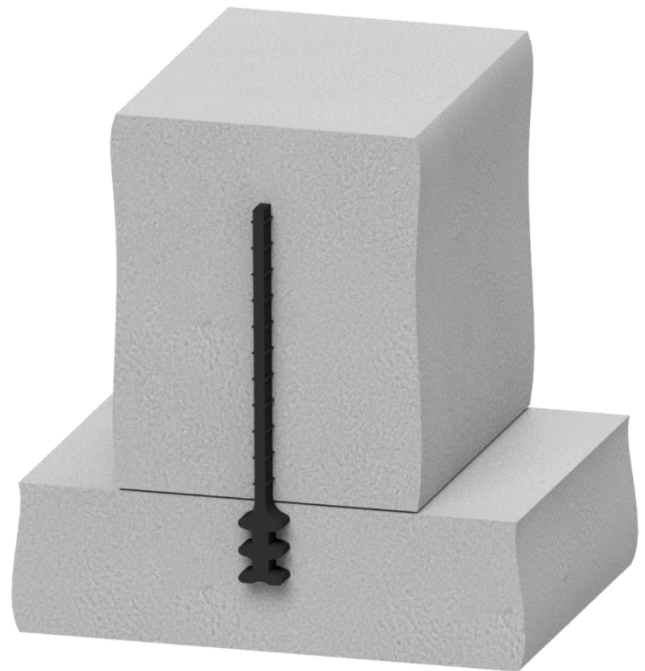
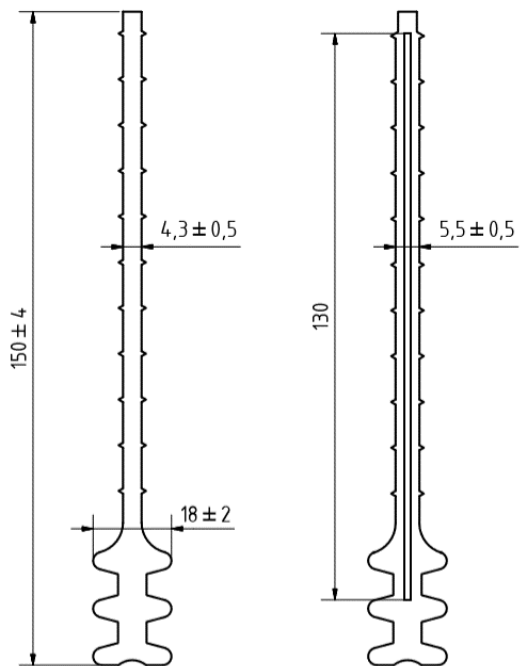
<b>Performance after storage in bitumen</b>	Tensile strength $\leq 20\%$ Elongation at break $\leq 20\%$ rel. Modulus of elasticity $\leq 50\%$
---------------------------------------------	-----------------------------------------------------------------------------------------------------------

---

# Data sheet A 15 SM



A 15 SM



Reinforcement with bars made of spring steel  
bar dimensions: 130 x 8 x 1,5  
distance between bars: approx. 100

All dimensions in mm