

Data sheet - Clamped waterstop series



PRODUCT SPECIFICATION

SK H2O protec clamped waterstops according to DIN 18541, part 2, are permanently flexible profiles made of elastomer, PVC or PVC-NBR, that are used as replacement sealing in waterproof concrete structures with large movements and high water pressures.

For subsequent sealing of joints using loose-type flange or fixed flange constructions.

Characteristics / Advantages

- high tensile strength and elongation at break
- high permanent flexibility and high-load bearing capacity
- suitable for water pressure and large settlements
- resistant to all natural media acting aggressively to concrete (if applicable)
- resistant to a wide range of chemical substances (tests required for each additional specific situation)
- standard resistant
- supply of systems for easy handling on site
- weldable by using butt joints on site

Application

- joint sealing in concrete structures
- sealing system for in-situ concrete

Typical structures

- underground car parks, bridges, trough and bridge constructions
- rail tunnels and road tunnels
- water construction plants

Data sheet - Clamped waterstop series



Standards / Directives

- DIN 18197
- DIN 18541, part 2
- WU- Directives DAfStb
- Welding instructions

Test certificate / Approvals

- latest manufacturer's test certificate
- certificate of conformity - DIN 18541
- external monitoring by MPA NRW
- internal monitoring

PRODUCT DATA

Material

- PVC-P (Polyvinyl chloride with plasticizer / P: plasticized)
- PVC-NBR (Polyvinyl chloride - Nitrile butadiene rubber)

Colour

- black

Packaging

- supplied as standard rolls (25 m), pre-cuts and systems

Data sheet - Clamped waterstop series



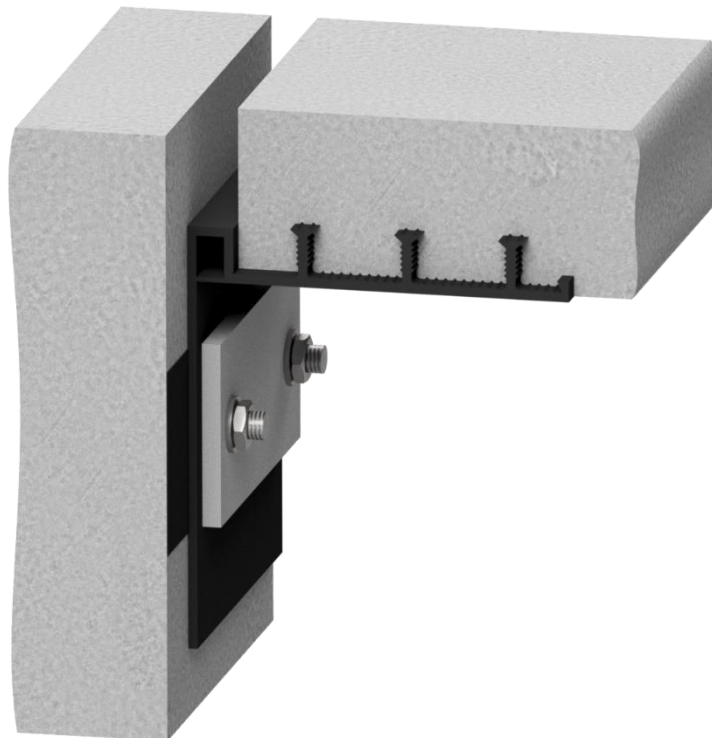
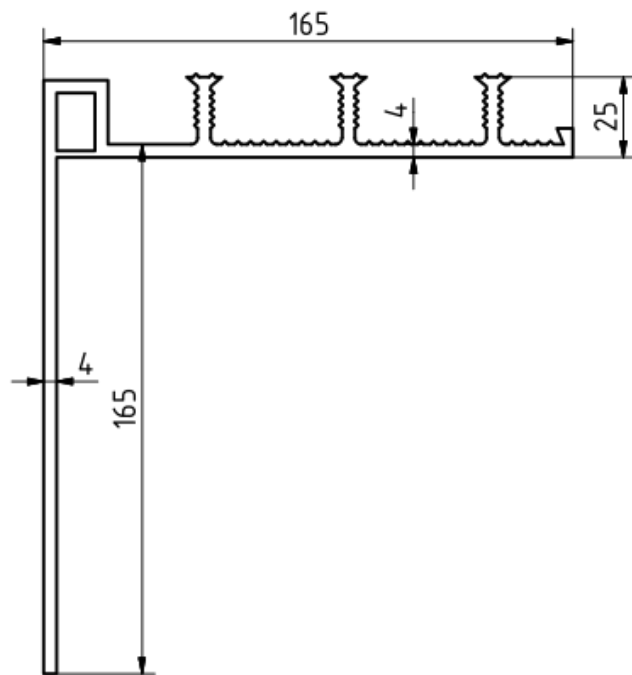
MECHANICAL PROPERTIES according to DIN 18541, part 2

Shore A hardness	67 ± 5
Tensile strength	≥ 10 MPa
Elongation at break	≥ 350 %
Tear propagation resistance	≥ 12 kN/m
Low temperature performance	Elongation at break at -20°C ≥ 200%
Performance after weathering	Tensile strength ≤ 20% Elongation at break ≤ 20% Modulus of elasticity ≤ 50%
valid change of average values relative to the initial value	
Performance of the weld at shear test short-term joining factor f_z	break outside of weld ≥ 0,6
Fire behaviour	class E
Performance after storage in bitumen	Tensile strength < 20% Elongation at break < 20% Modulus of elasticity < 50%

Data sheet - Clamped waterstop series



DA 320 KA

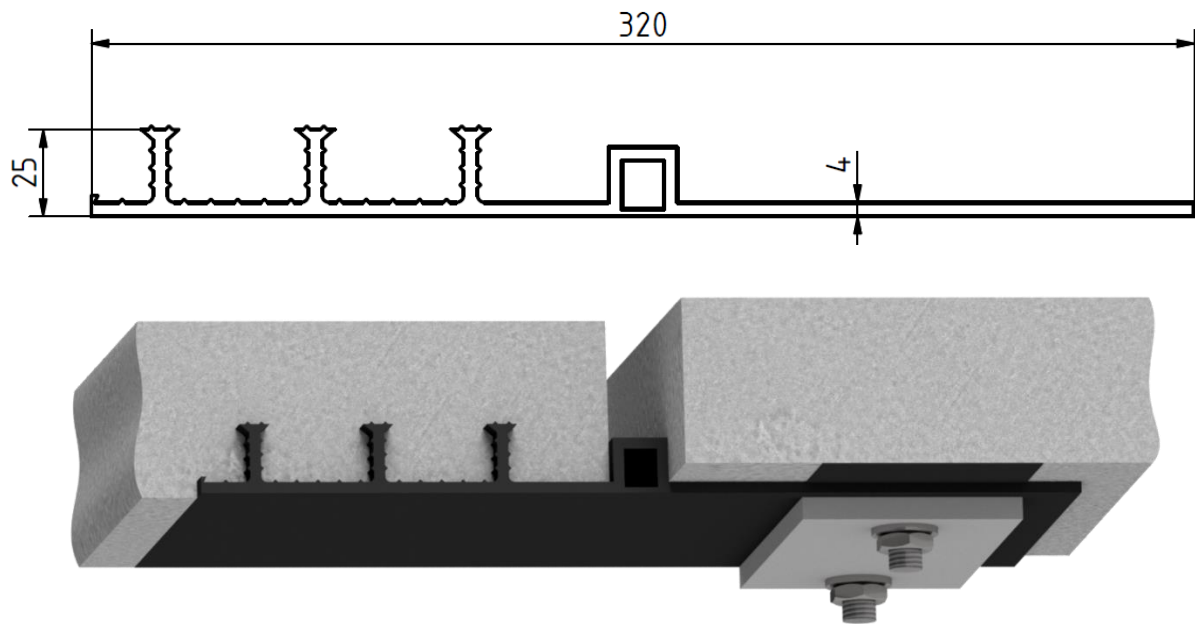


All dimensions in mm

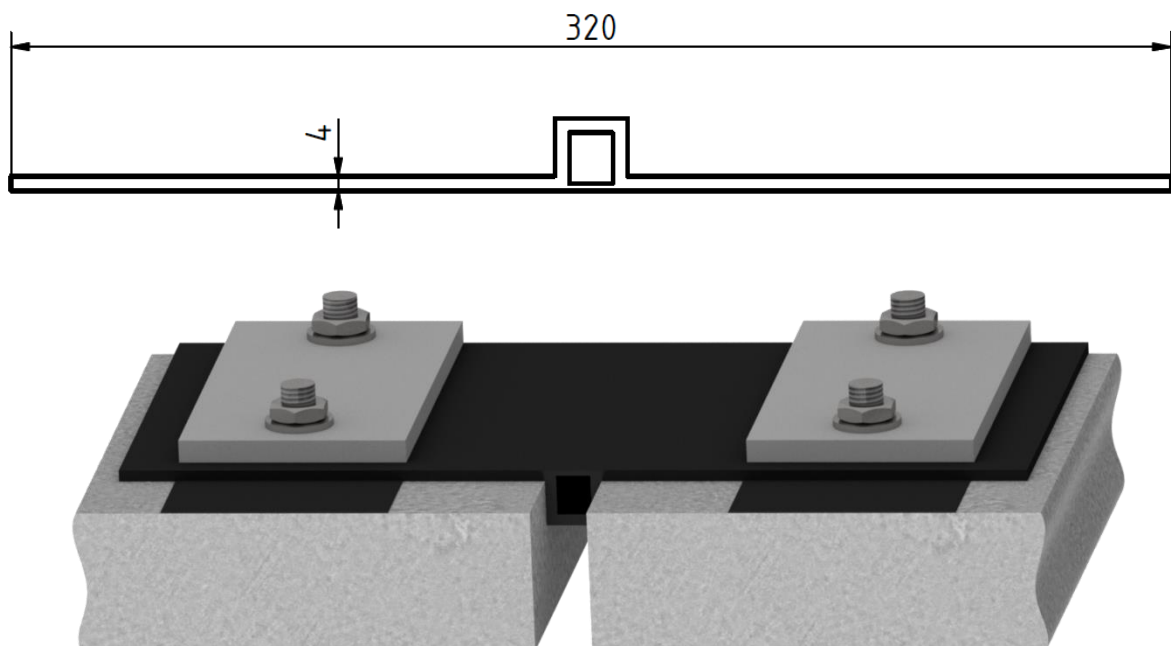
Data sheet - Clamped waterstop series



DA 320 KF



DA 320 KF2

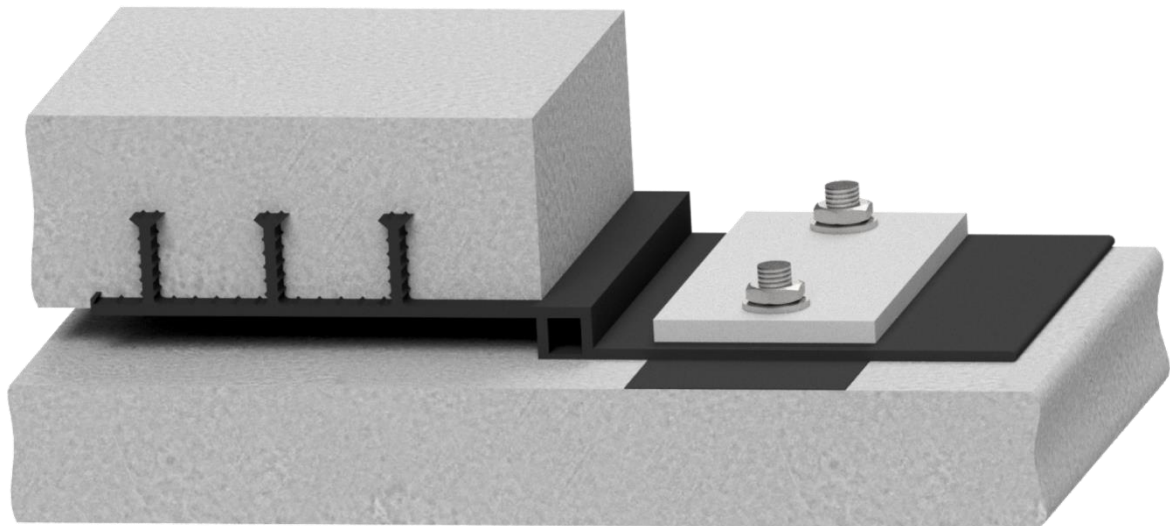
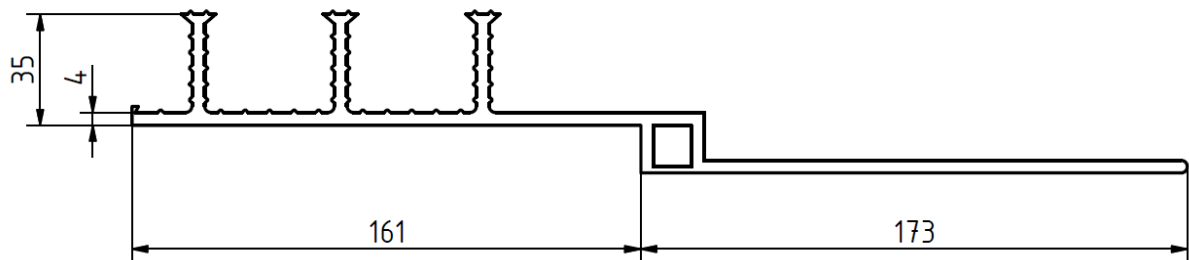


All dimensions in mm

Data sheet - Clamped waterstop series



DA 320 KFV

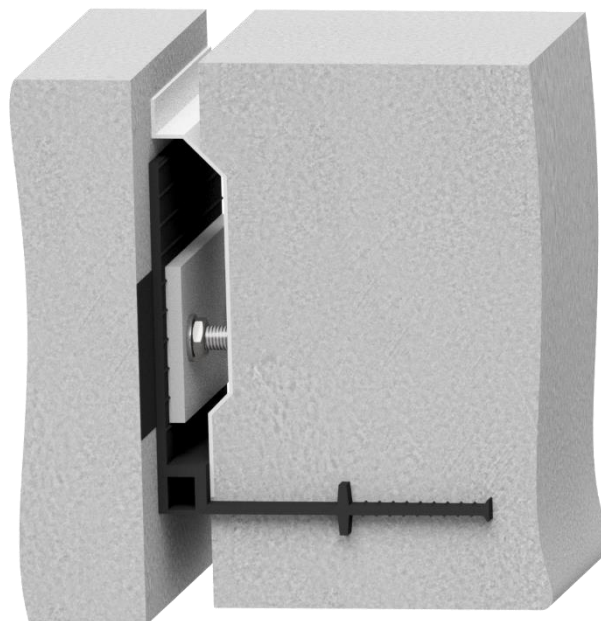
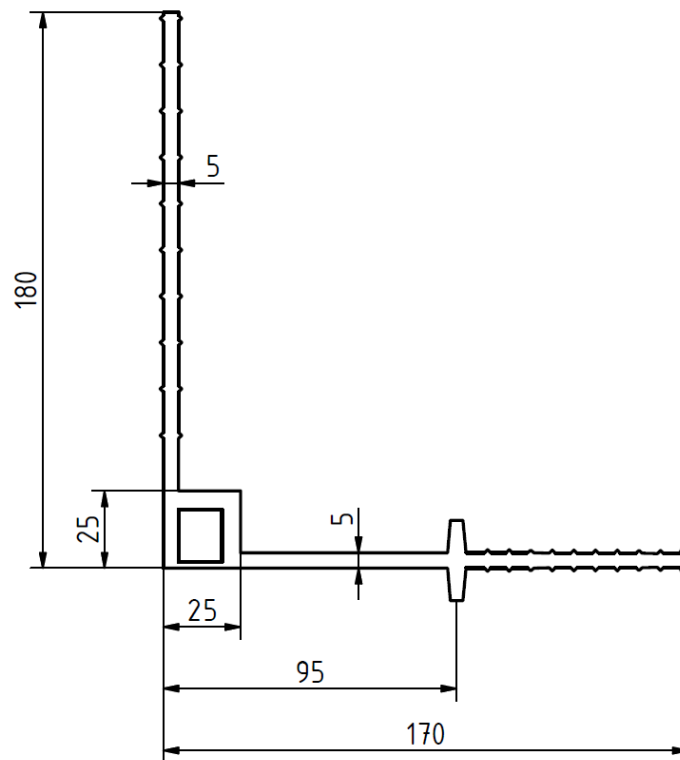


All dimensions in mm

Data sheet - Clamped waterstop series



D 320 K

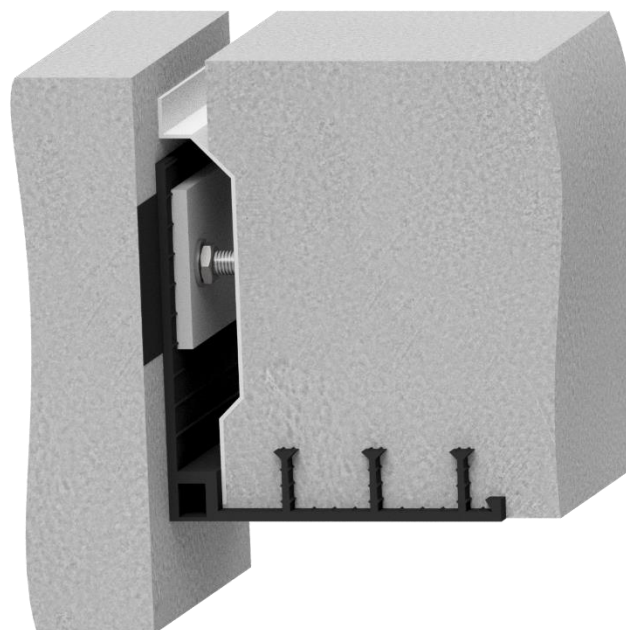
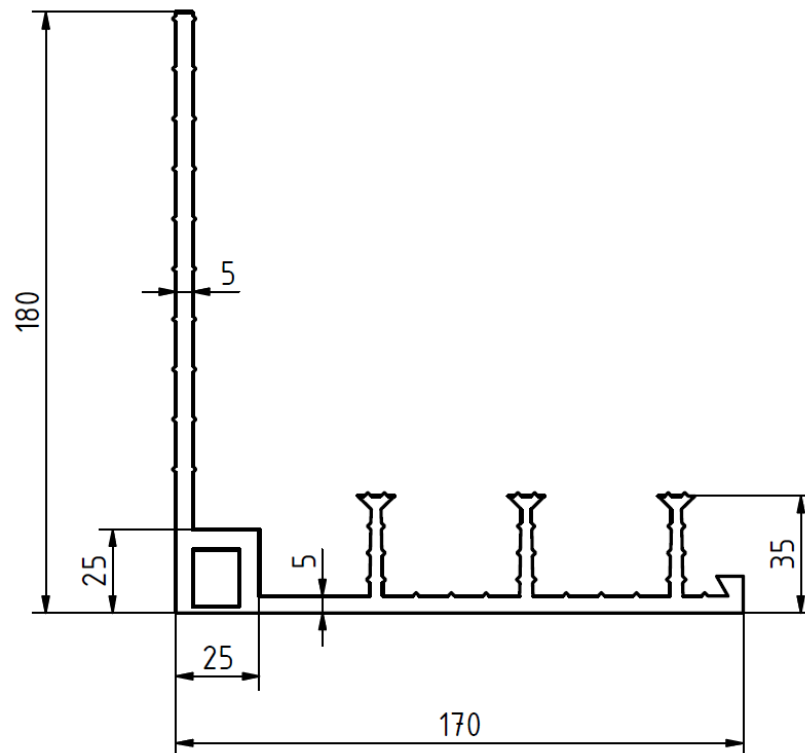


All dimensions in mm

Data sheet - Clamped waterstop series



DA 320/35 KI

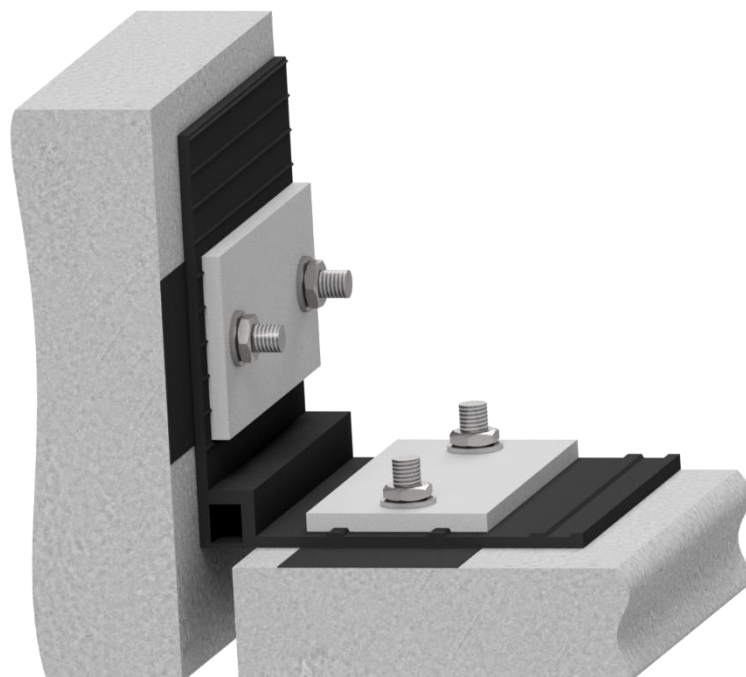
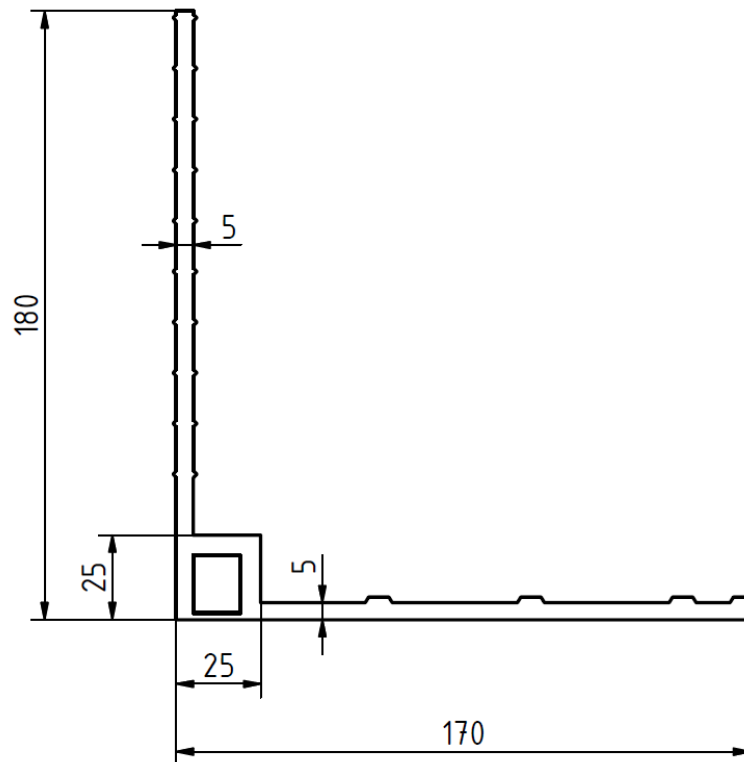


All dimensions in mm

Data sheet - Clamped waterstop series



DA 320 KF2 Ecke



All dimensions in mm